

# COMPACT POWER UNIT V 50 ECO

Part No.  
**5935717**



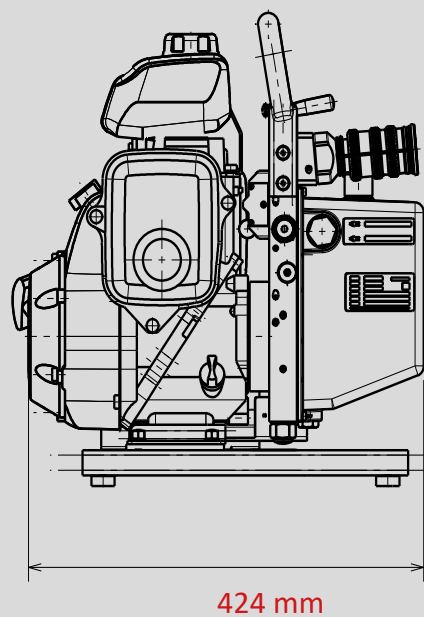
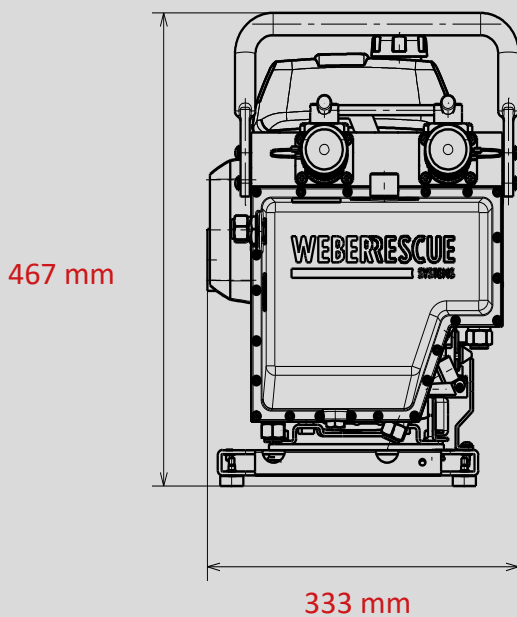
**TURBO-SPEED**



**SINGLE**

## Technical Data:

|                  |                           |
|------------------|---------------------------|
|                  | 4-stroke<br>petrol engine |
| Nominal pressure | 700 bar                   |
| Oil volume       | 4,0 l                     |
| Useable volume   | 3,15 l                    |
| Engine power     | 2,2 kW                    |
| EN Class         | ATO/MTO                   |
| Weight           | 29,8 kg                   |
| Part no.         | 5935717                   |



Illustrations are not binding. Subject to technical changes.  
Vers. B 2021/11