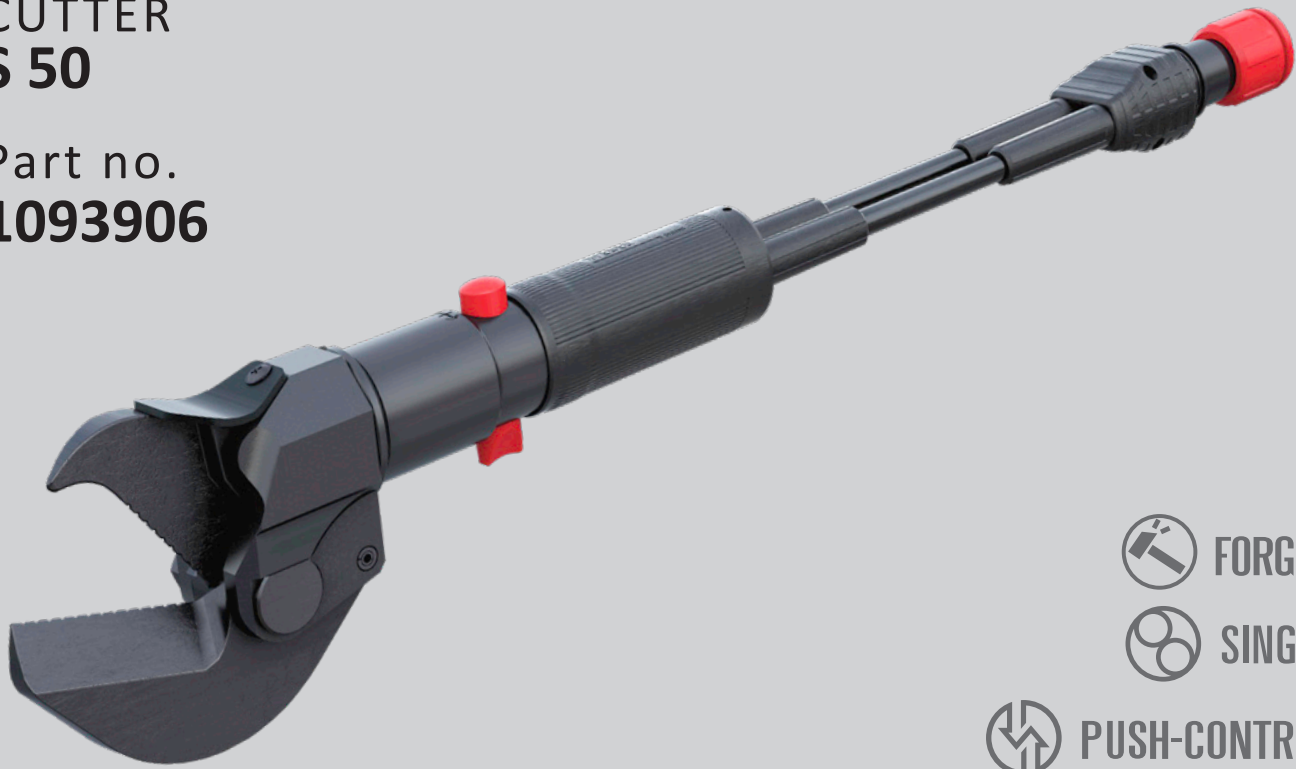


CUTTER S 50

Part no.
1093906



FORGED



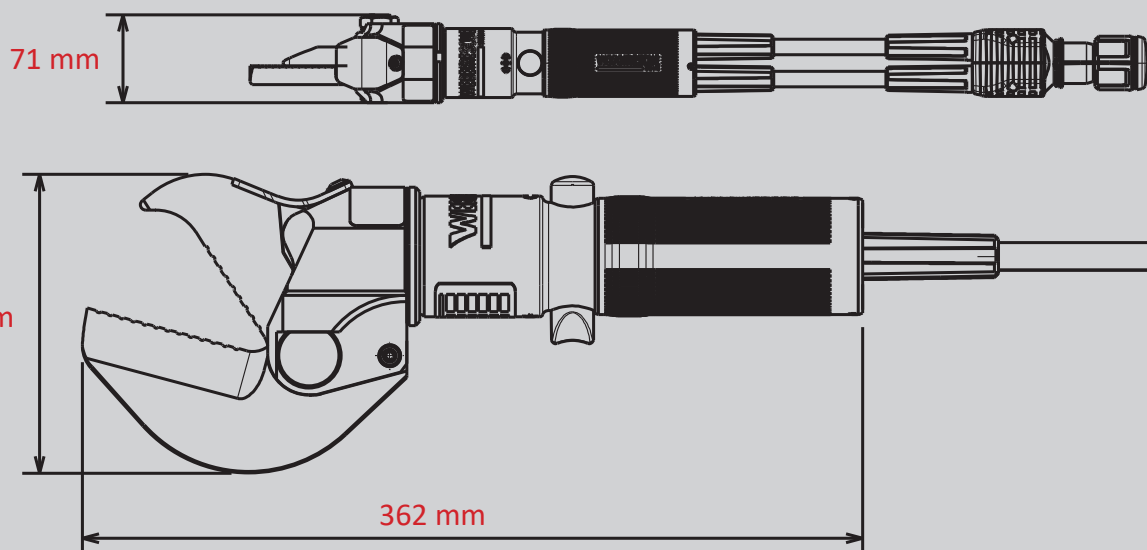
SINGLE



PUSH-CONTROL

Technical data:

Opening width	50 mm
Weight (ready for use)	4,2 kg
Required oil volume	0,1 l
Dimensions (LxWxH)	362 x 138 x 71 mm
Nominal pressure	700 bar
EN classification (EN 13204)	AC50B-4,2
EN cutting class (EN 13204)	1C-2D-3B
NFPA cutting class (NFPA 1936)	A4-B3-C2-D4-E3



Images are non-binding. We reserve the right to technical modifications.
60004901 (190581, A, ALL, 26.06.2019)