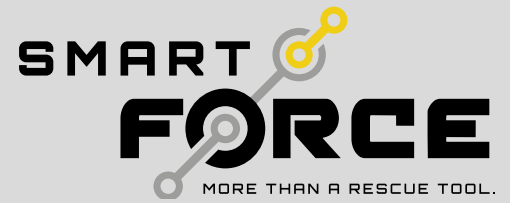


Cutter RSC 190 PLUS SMART-FORCE

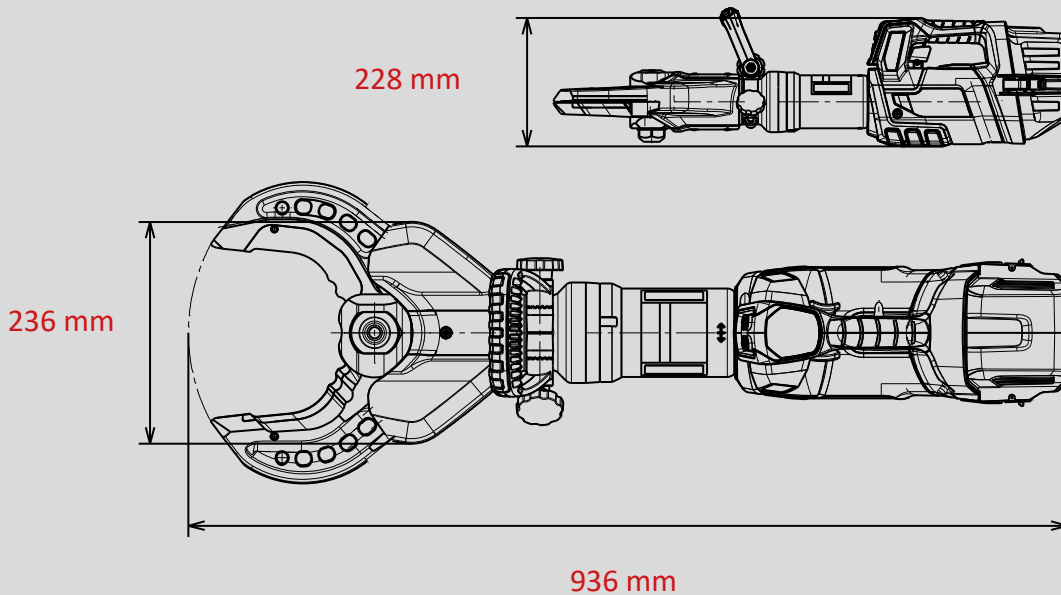
Part no.
1101550



- POW3R PUMP**
- CONNECT**
- FORGED**
- 360° HANDLE**
- PLUS**
- LED LIGHTS**
- UNDERWATER**

Technical data:

Opening width	187 mm
Weight (ready to use)	22,8 kg
Dimensions (LxWxH)	936 x 236 x 228 mm
Nominal pressure	70 bar
EN cutting class (EN 13204)	BC187K-22,8
EN cutting performance (EN 13204)	1K-2K-3K-4K-5K
NFPA cutting class (NFPA 1936)	A8-B9-C7-D9-E9-F4



WEBER-HYDRAULIK GMBH
Heilbronner Straße 30
74363 Güglingen, Germany
Phone +49 7135 71-10270
info@weber-rescue.com

Emil Weber Platz 1
4460 Losenstein, Austria
Phone +43 7255 6237-120

Images are non-binding. We reserve the right to technical modifications.
2023A, 01/2023