

CONCRETE CRUSHER BC 250 MK2

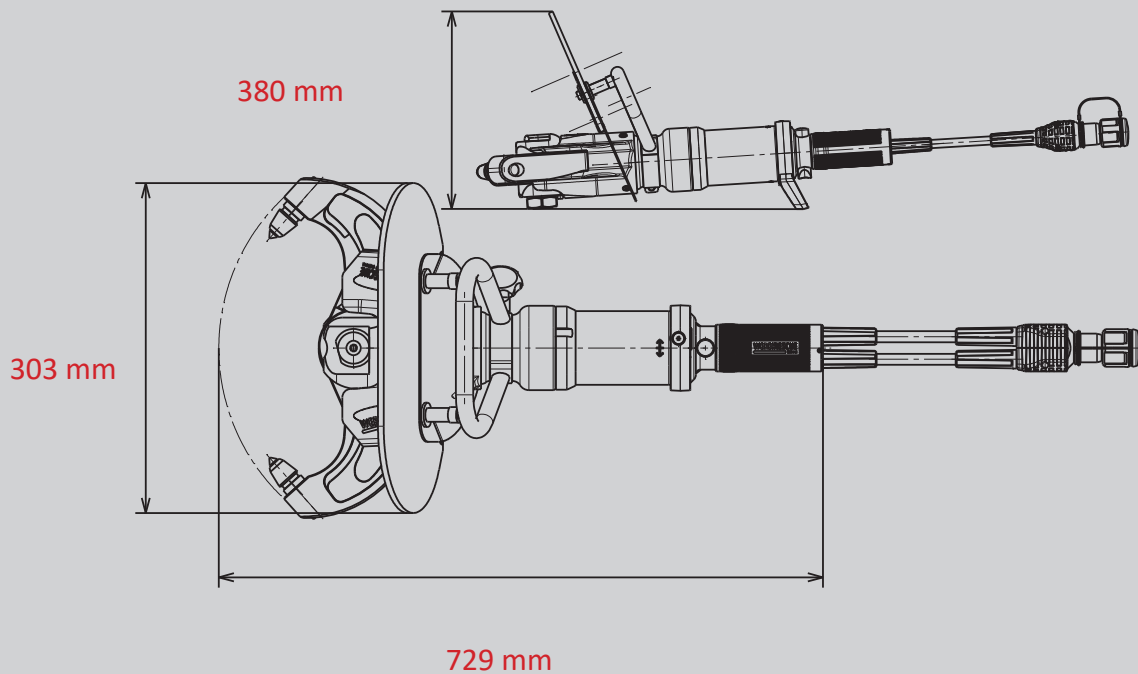
Part no.
1103954



-  **FORGED**
-  **360° HANDLE**
-  **SINGLE**
-  **X-CHANGE**
-  **PUSH CONTROL**

Technical data:

Opening width	250 mm
Weight	17,7 kg
Dimensions (LxWxH)	729 x 380 X 303 mm



WEBER-HYDRAULIK GMBH
Heilbronner Straße 30
74363 Güglingen, Germany
Phone +49 7135 71-10270
info@weber-rescue.com

Emil Weber Platz 1
4460 Losenstein, Austria
Phone +43 7255 6237-120

Images are non-binding. We reserve the right to technical modifications.
10/2023A